



STABILISATION TECHNOLOGY

PRECISION SOIL APPLICATION SYSTEMS



TRAILED BINDING AGENTS SPREADERS TBA SERIES

+ PRECISION SPREADING EQUIPMENT

www.spread-tec.com

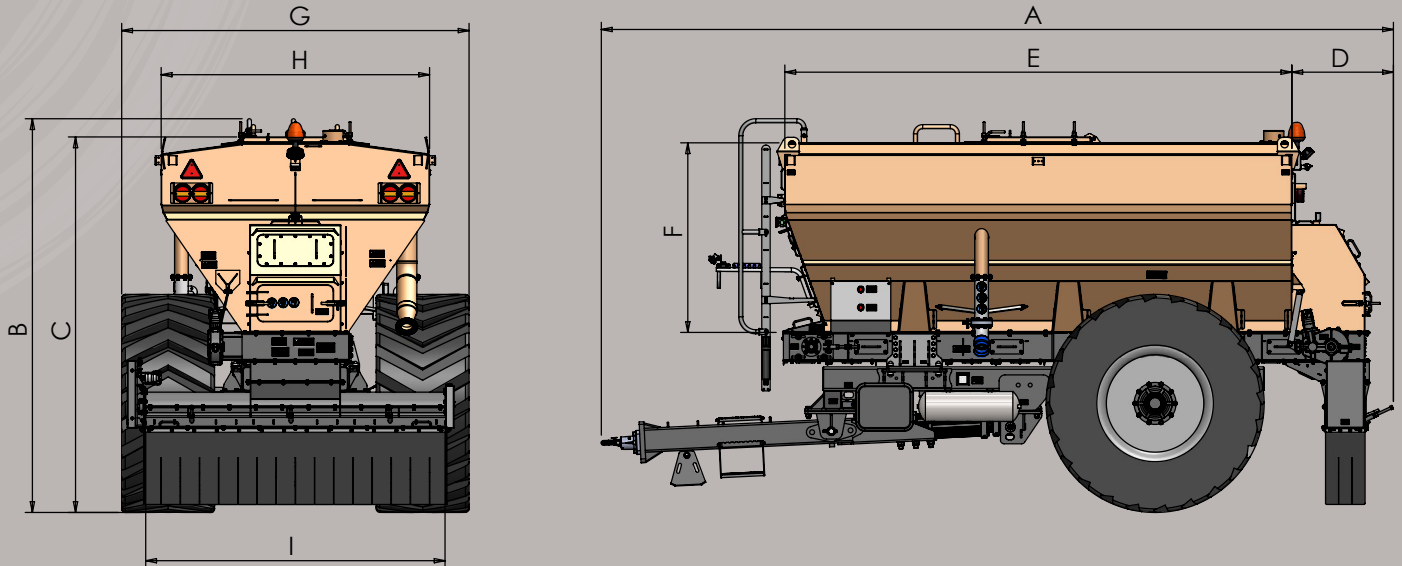
www.reedsLtd.co.uk

Spread-Tec's Trailed Binding Auger Spreaders are designed for precision performance in soil stabilisation applications. Substantial construction with precision spread accuracy technology

Hydraulically driven and controlled twin chain and slat floor, a 2.5 mtr application width auger with an oil requirement of 90 ltrs/min, with spreading rates from 2 to 50 kg/m²

Available in 10m³ to 16m³ single axle, tandem axle or truck/self-propelled mounted units

TECHNICAL SPECIFICATIONS



Model	TBA-10
(A) Overall Length (mm)	6647
(B) Overall Height (mm)	3286
(C) Loading Height (mm)	3120
(D) Rear Overhang (mm)	742
(E) Bin Length (mm)	4231
(F) Bin Height (mm)	1575
(G) Overall Width (mm)	2899
(H) Loading Width (mm)	2240
Volume - Level Fill (m ³)	10.0
Max Carrying Capacity (mT)	12
Max Carrying Capacity (Kg)	12000
Unladen Weight (Kg)	5350
Min Tractor HP Requirement	160HP
Wheels (Standard Spec)	800/65R32 BKT AMAX RT600 181A8
Axle Beam Size (mm)	150
Wheel Track Centres (mm)	2,024
Axle Stud Qty	10 Stud
Brake Type	Hydraulic
Brake Hub Size (mm)	420x180mm
Chain width:	710mm
Door opening width & height:	Width = 695mm, Height = 300mm
Spreading capacity:	2-35 Kg/m ²
Auger working width:	2,500mm
Travel Speed rating:	25 Kmph Max
Filling connector sizes:	4" Uni-cone Female Coupling
Hydraulic Oil Flow Required:	min 90 ltrs/min
Hydraulic Pressure Required:	min 172 bar, 2500 psi
Electrical supply :	12V / 15A



OPTIONAL EQUIPMENT

Air/Hydraulic Brakes
Strobe Beacons x 2 Rear
Working Lights x 2 Rear
Mudguards Plastic or Steel
Spoon Hitch
Tool Box
Weigh Cells & Monitor
Auto Rate Control
Steering Axle
Wheel Options

CONTACT DETAILS

Ireland/Worldwide – Terry Reilly

Spread-Tec

00353 89 4091989

terry@spread-tec.com

United Kingdom – Haydn Waters

REEDS Construction & Engineering

00447 917 573 895

haydn@reedsltd.co.uk

www.reedsltd.co.uk